



Thank you for purchasing our
HOME HOBBY TABLE

Item #12570



HELPFUL HINTS: Read the instructions carefully before starting. Check to see that all parts on the Parts List are included. It is best to work in a spacious area. Be sure to avoid overtightening.

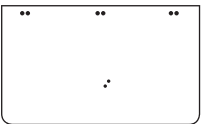
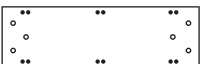

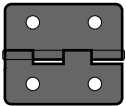



REPLACEMENT POLICY: Sullivans USA, Inc. will replace any missing or defective parts within 30 days of purchase. Fax a dated receipt with your contact information and request to **630-435-1532** or e-mail to **Sullivans@SullivansUSA.net**. To expedite this process, include any parts you may need in your request. This policy does not apply to damages due to shipping. For further assistance, please call 800-862-8586.

Please note that the no-charge Replacement Policy does not apply to items sold as is, clearance, closeout, final sale, etc. Any parts requested under these circumstances will be charged to the customer, including shipping charges. Shipping charges for replacement parts to Alaska, Hawaii or any point outside of the Contiguous United States are not covered under our policy. Some restrictions apply. See website for details. If you are outside of the 30 day period, replacement parts are available for purchase.





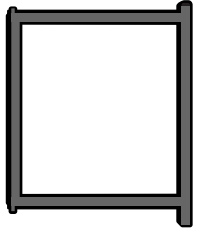


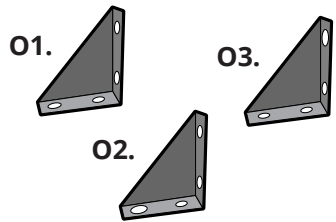

HOME HOBBY TABLE PARTS LIST

Assembly Time: Approximately 1 hour

You will need: Phillips Screwdriver

DESCRIPTION	QTY	PICTURE
A. Side Boards - 24" x 36"	2	
B. Middle Board - 12" x 36"	1	
C1. Casters	4	
C2. Locking Casters	2	
D. Hinges	6	
E. Allen Bolts - 1/5"	24	
F. Allen Bolts - 1-1/3"	6	
G. Allen Bolts - 1-1/2"	4	

HOME HOBBY TABLE PARTS LIST

DESCRIPTION	QTY	PICTURE
H. Allen Key	1	
I. Top Beam	1	
J. Bottom Beam	1	
K. Side Beams	2	
L. Wing Supports	2	
M. Leg Clamps	2	
N. Phillips Screws - 1/2"	4	
O1. Corner Brackets (Bottom)	2	
O2. Corner Bracket (Right)	1	
O3. Corner Bracket (Left)	1	
P. Self-Tapping Phillips Screws - 9/16"	14	



DO NOT RETURN TO THE STORE. For assistance with missing or replacement parts, installation, or any additional information, please call us at **800-862-8586** or email us at **Sullivans@SullivansUSA.net**.

HOME HOBBY TABLE INSTRUCTIONS

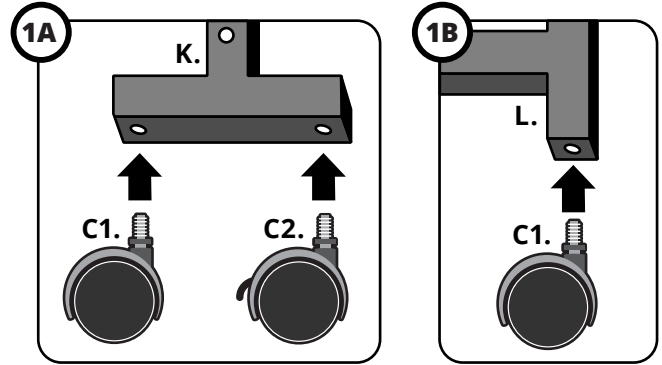
1 THE BASE

Parts Needed: C1 (4), C2 (2), G (4), H, I, J, K (2), L (2), O (2), P (8)

1A Screw 1 Caster (C1) and 1 Locking Caster (C2) into the bolt holes on the bottom of each Side Beam (K).

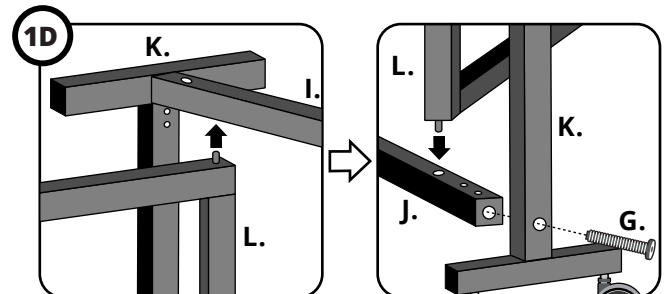
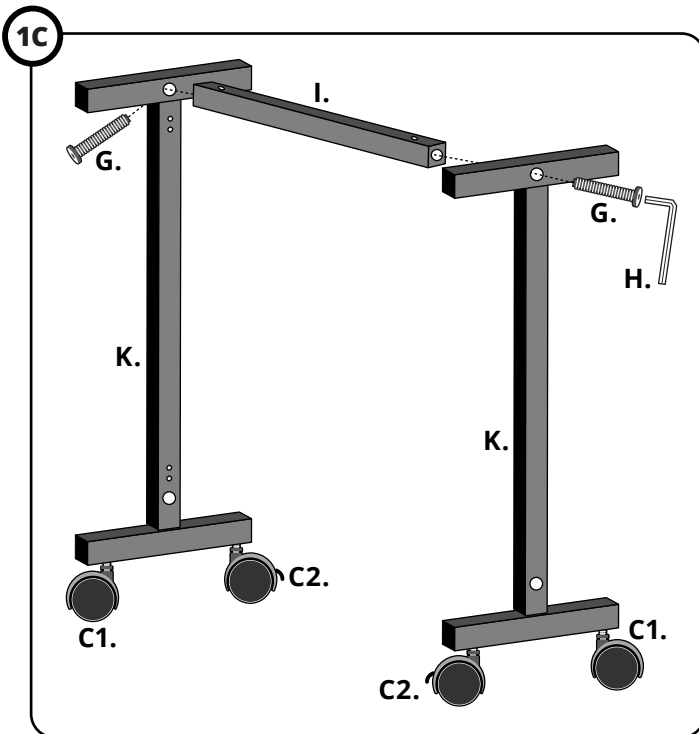
1B Screw 1 Caster (C1) into the bolt holes on the bottom of each Wing Support (L).

1C Take the Top Beam (I) and turn the side with 6 holes down, toward the casters. Use 2 Allen Bolts (G) with the Allen Key (H) to attach the Top Beam (I) to the Side Beams (K). Do not overtighten. Be sure that the Locking Casters (C2) are on opposite sides of each other.

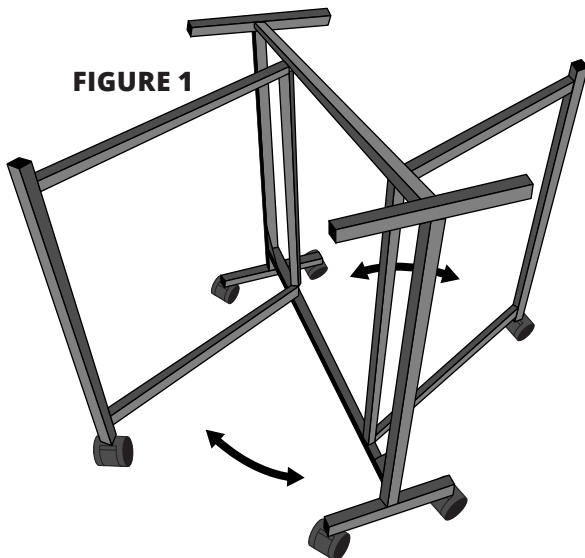
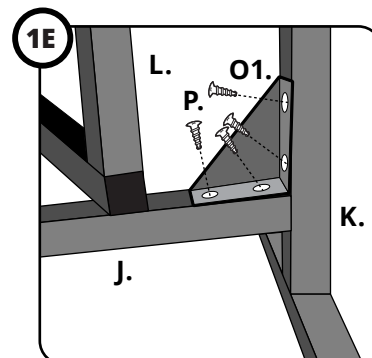


1D Insert the top peg of 1 Wing Support (L) into the third hole on the bottom of the Top Beam (I). Insert the other Wing Support (L) into the fourth hole, making sure that the Wing Supports do **not** face the same way. Take the Bottom Beam (J) and place the bottom pegs of the Wing Supports (L) inside the holes on the top of the Bottom Beam (J). Secure the Bottom Beam (J) to the Side Beams (K) using the Allen Key (H) with 2 Allen Bolts (G).

To ensure the correct position of the Wing Supports, face one of the Side Beams (K). The peg on the Wing Support (L) to your right should be inserted into the innermost hole at the side closest to you and swing out away from the table, towards you. See FIGURE 1.



1E Use a Phillips Screwdriver (not included) and 4 Self-Tapping Phillips Screws (P) to attach a Corner Bracket (O1) to the Bottom Beam (J) and Side Beam (K). Repeat for other side.



2 THE TABLE TOP →

HOME HOBBY TABLE INSTRUCTIONS

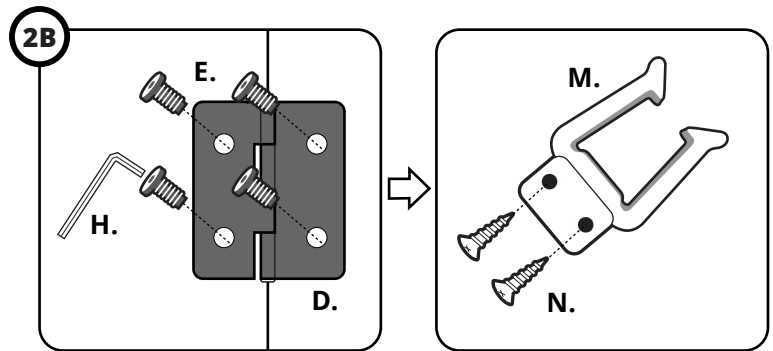
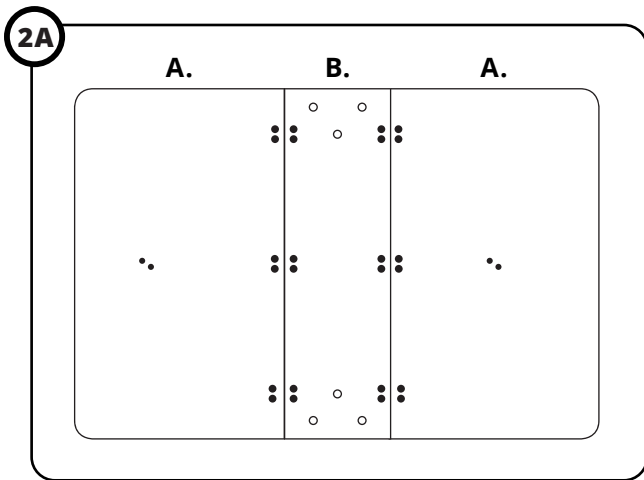
2 THE TABLE TOP

Parts Needed: A (2), B, D (6), E (24), H, M (2), N (4)

2A Lay the 2 Side Boards (A) with the Middle Board (B) between them on a clean, protected surface with the pre-drilled holes facing up. Line up the holes on all the boards.

2B Align the 6 Hinges (D) over the predrilled holes on the boards. Be sure that the “bump” is facing up. Secure all of the Hinges (D) to the Side Boards (A) and Middle Board (B) using the Allen Key (H) and 24 Allen Bolts (E). Tighten securely but do not overtighten.

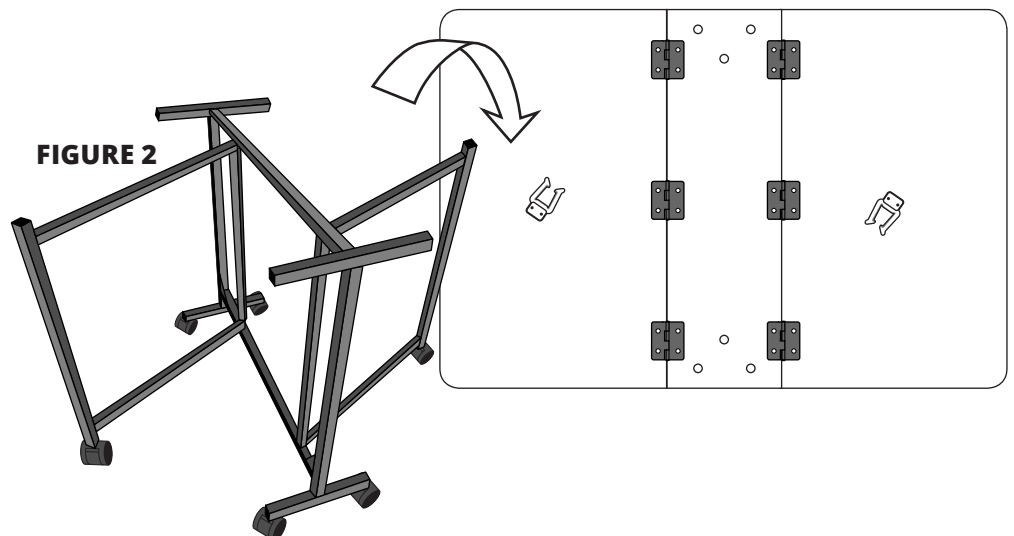
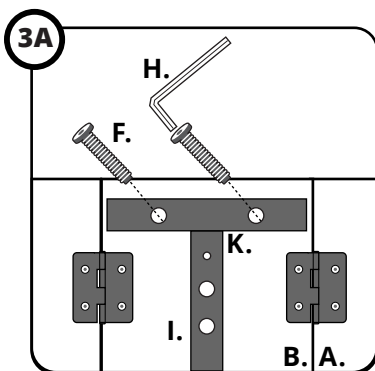
Align the 2 Leg Clamps (M) over the pre-drilled holes in the center of the Side Boards (A). Screw the Leg Clamps (M) in using a Phillips Screwdriver (not included) and 4 Phillips Screws (N). The clamps should face inward toward the Middle Board (B). Leave the Table Top flat when complete.



3 ATTACHING THE BASE & TABLE TOP

Parts Needed: F (6), H, O (2), P (6)

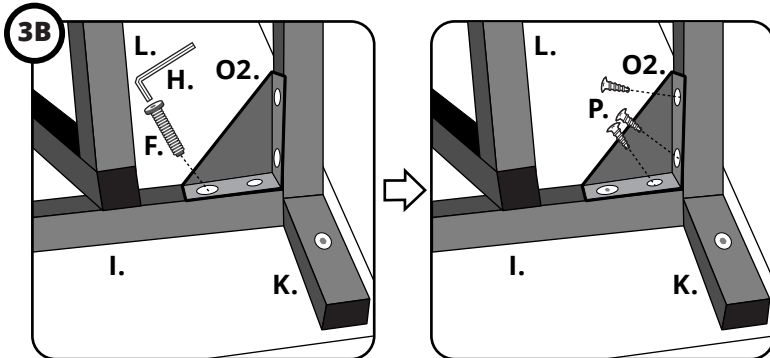
3A Carefully flip the base upside down. See FIGURE 2. Line up the base with the pre-drilled holes on the Middle Board (B) and secure the top two and bottom two holes with 4 Allen Bolts (F). Tighten securely but do not overtighten.



3 ATTACHING THE BASE & TABLE TOP (CONTINUED) ➡

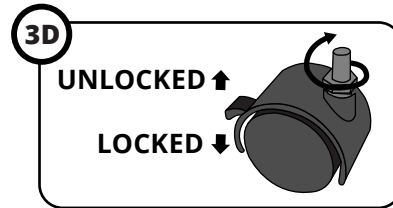
HOME HOBBY TABLE INSTRUCTIONS

3B On the right side, attach 1 Corner Bracket (O2) to the Top Beam (I) with 1 Allen Bolts (F) the innermost hole and the Allen Key (H). Tighten securely but do not overtighten. Use a Phillips Screwdriver and 3 Self-Tapping Phillips Screws (P) in the 3 remaining holes of the Corner Bracket (O2) to secure. Repeat on left side using Corner Bracket (O3).



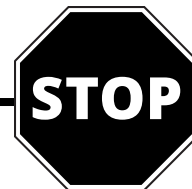
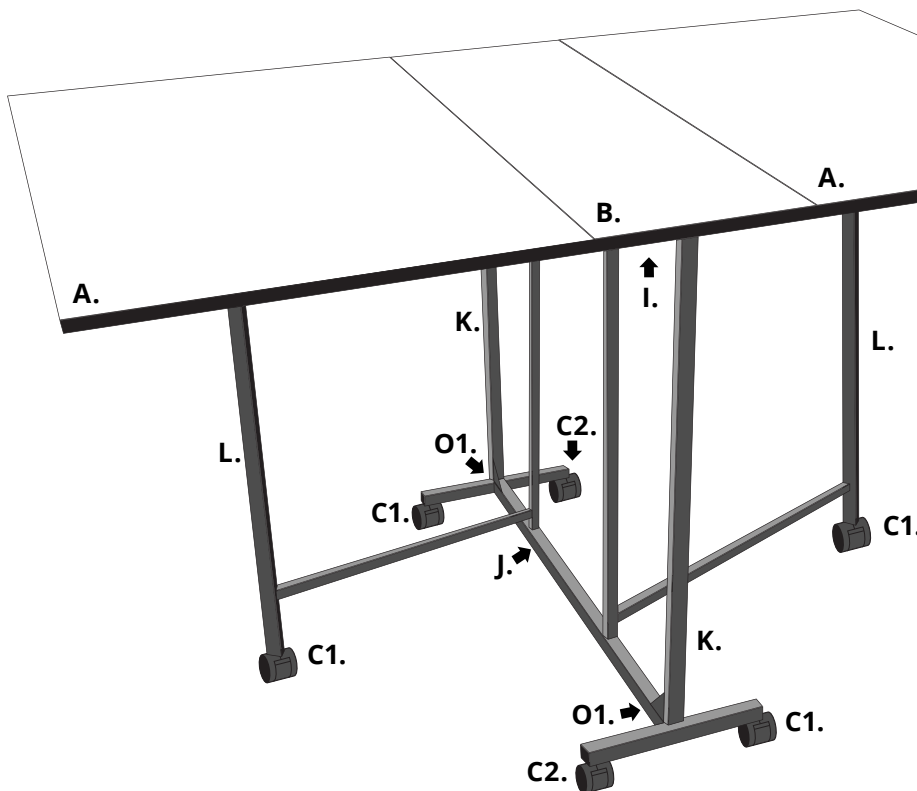
3C Fold in the Wing Supports (L) and the 2 Side Boards (A). Hold tight as you turn the table right side up, onto the casters.

3D For minor leveling adjustments, remove caster, rotate the adjusting nut, and screw back into table leg.



4 SAFETY & MAINTENANCE

- Do not place more than 30 pounds on the Side Boards.
- This table is not a toy. Do not let children play on, under, or around the table.
- When using the Side Boards, carefully raise one side at a time, swing out the metal Wing Support, and snap it into the Leg Clamp. This will provide the maximum table balance and stability.
- Do not move the table when the casters are in the locked position to prevent damaging the casters.
- Use a cloth or sponge with mild soap to clean the table - never use any abrasive material.
- Never rest a hot iron directly on the surface.



DO NOT RETURN TO THE STORE.

For assistance with missing or replacement parts, installation, or any additional information, please call us at **800-862-8586** or email **Sullivans@SullivansUSA.net**.