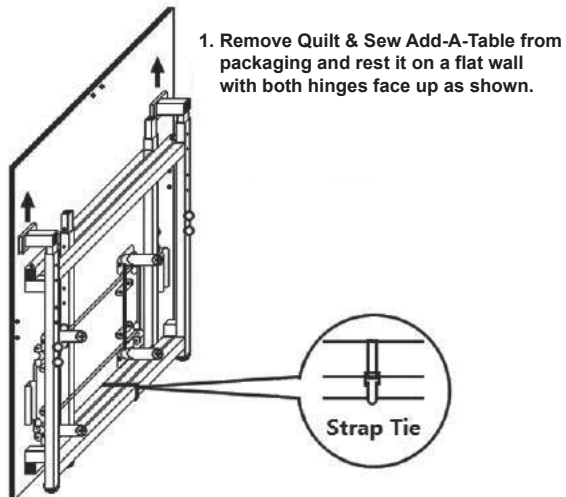
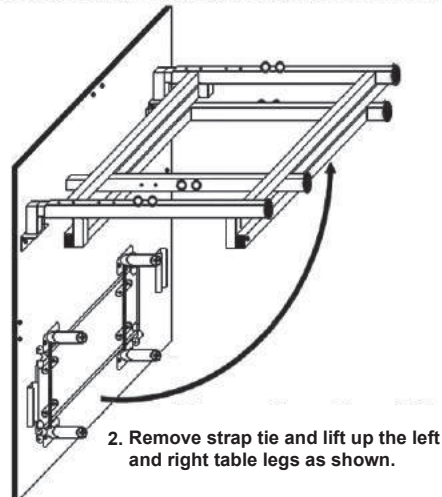


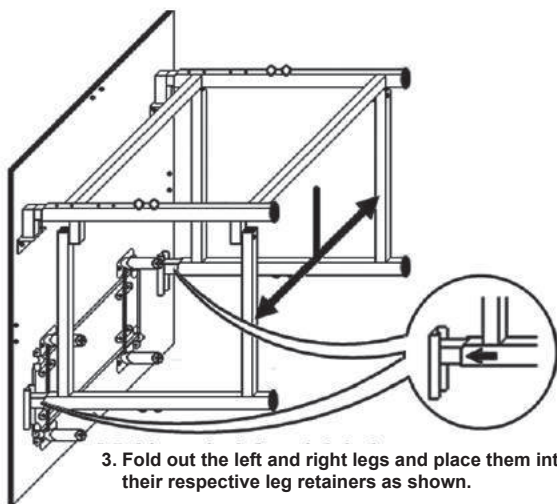
Thank you for purchasing Sullivans Quilt & Sew Add-A-Table, please note that there is **NO ASSEMBLY** required, your Quilt & Sew Add-A-Table is ready to use out of the box, the following guidelines are simply to help you set up your table for regular use and also show how to connect more Quilt & Sew Add-A-Tables (sold separately).



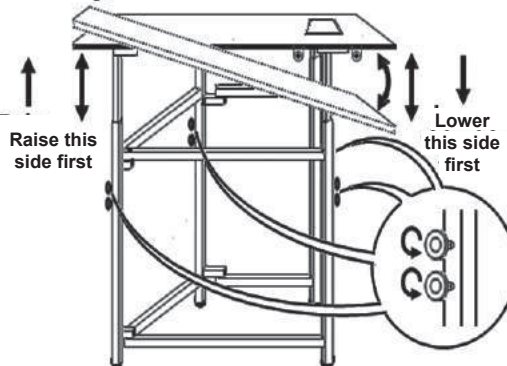
1. Remove Quilt & Sew Add-A-Table from packaging and rest it on a flat wall with both hinges face up as shown.



2. Remove strap tie and lift up the left and right table legs as shown.



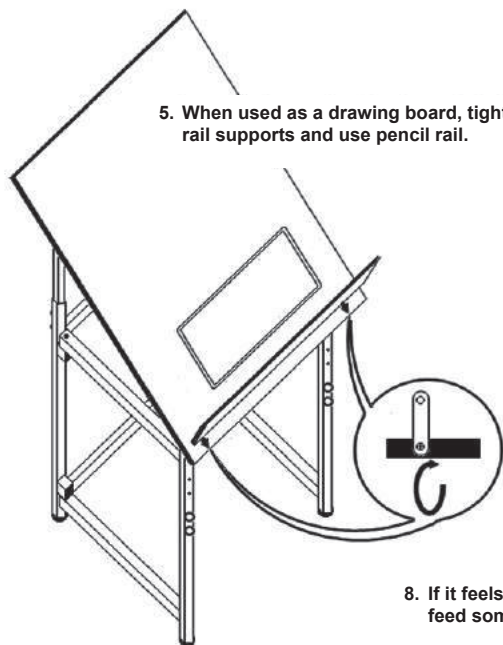
3. Fold out the left and right legs and place them into their respective leg retainers as shown.



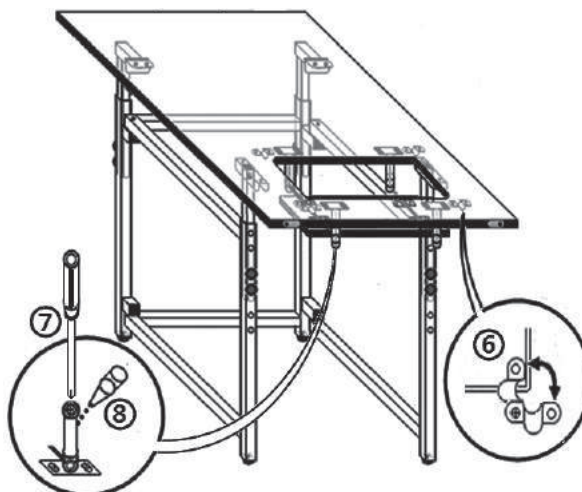
Raise this side first

Lower this side first

4. Adjust the table's height and angle as desired. Please note: when raising the table, raise the back legs first, then the front. When lowering the table, lower the front legs first, then the back.



5. When used as a drawing board, tighten rail supports and use pencil rail.



6. On the back of the small board, there are 4 small brackets holding the small board, remove the brackets away, then you can drop down or lift up the small board, push up the two steel wires on the small board to lift it up.

7. The height of small board is adjustable from 3.25in to 3in, there is a screw inside the small rubber column support. You may screw it in clockwise or counter clockwise to adjust the small board's height.

8. If it feels a little too tight when the small board drops down or lifts up, feed some machine oil on the small rubber column supports.

9. Use the included joining plate and screws to join 2 or more Quilt & Sew Add-A-Tables together, please refer to the pictures on table box.



Adjustable QUILT & SEW ADD-A-TABLE

Item No. 39275

SAFETY AND MAINTENANCE: DO NOT allow children to play on, under or around this table. To clean use a cloth or sponge and some mild detergent. **DO NOT USE** any abrasive pads or cleaners.

—**DO NOT RETURN TO STORE**—

Sullivans will replace any missing manufacturing or defective parts within 30 days of purchase.

Send a dated receipt copy to (630) 435-1532 (Fax) or Sulnotions@sbcglobal.net

THIS DOES NOT APPLY TO SHIPPING DAMAGES.

For further assistance please call our toll free number (800) 862-8586 or e-mail Sulnotions@sbcglobal.net

PLEASE NOTE: Our 30-day No Charge replacement policy for parts does not apply to items sold AS IS, CLEARANCE, CLOSEOUT, FINAL SALE, ETC.

Any parts requested under these circumstances will be charged to the customer, including shipping charges.

Shipping charges for replacement parts to Alaska, Hawaii or any point outside of The Contiguous United States are not covered under our policy.

Some restrictions apply. See website for details.

Sullivans USA

4341 Middaugh Avenue, Downers Grove, IL 60515

Toll Free: (800) 862-8586 • Fax: (630) 435-1532

Table Accessories



Iron Glide
Item No. 12574



Cord Minder
Item No. 12710



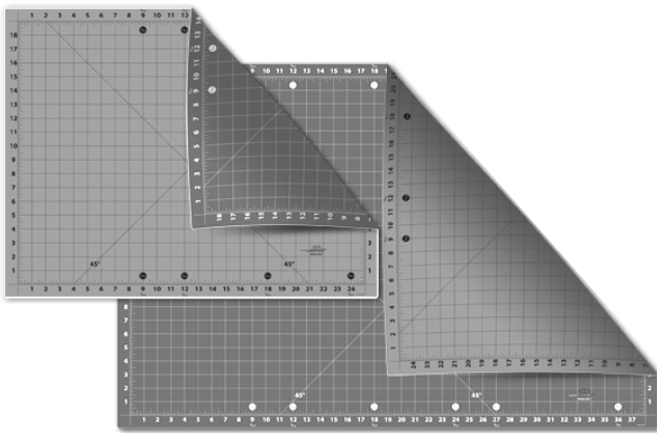
Ironing Cover
Item No. 12594



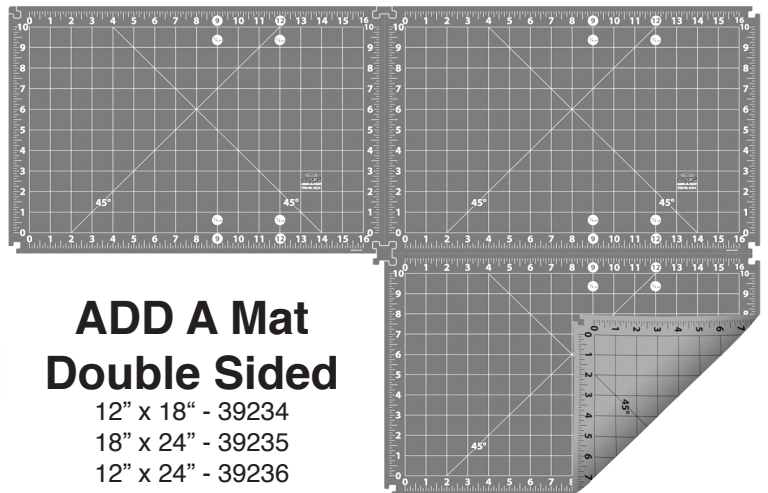
Heat Resistant Ironing Cover
Item No. 12572



Scrap Caddy
Item No. 12573



EDGE Cutting Mats
Double Sided
18" x 24" - 38216
24" x 37" 38217



ADD A Mat
Double Sided
12" x 18" - 39234
18" x 24" - 39235
12" x 24" - 39236
Twin Joint (4) - 39232
Cross Joint (2) - 39233



DO NOT RETURN TO THE STORE

**FOR ASSISTANCE WITH MISSING OR REPLACEMENT
PARTS, INSTALLATION, OR INFORMATION**



www.sullivansusa.net

PLEASE CALL US AT
800.862.8586



www.sullivansusa.net

Sullivans USA, Inc. will replace any missing or defective parts within 30 days of purchase. Fax a dated receipt with your contact information, the lot number on your instructions, and your request to **630-435-1532** or e-mail to **Sullivans@SullivansUSA.net**. To expedite this process, include any parts you may need in your request. This policy does not apply to damages due to shipping. For further assistance, please call 800-862-8586.

Please note that the no-charge Replacement Policy does not apply to items sold as is, clearance, closeout, final sale, etc. Any parts requested under these circumstances will be charged to the customer, including shipping charges. Shipping charges for replacement parts to Alaska, Hawaii or any point outside of the Contiguous United States are not covered under our policy. Some restrictions apply. See website for details. If you are outside of the 30 day period, replacement parts are available for purchase.

4341 MIDDAUGH AVENUE • DOWNERS GROVE, IL 60515 • ORDERS: 800.862.8586 • FAX: 630.435.1532