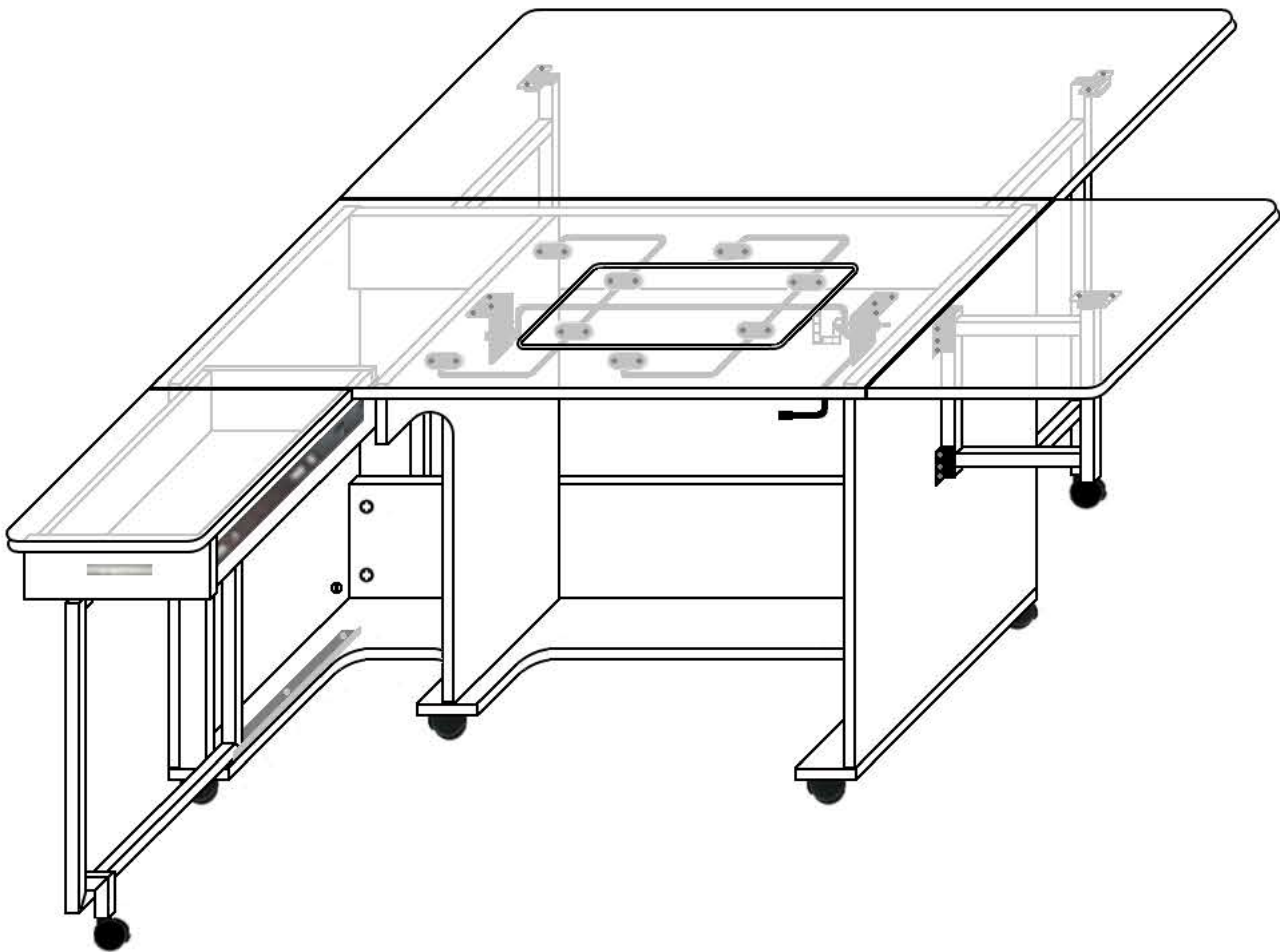


SULLIVANS

Item No.

Ultimate Quilting Table

Instructions



www.sullivans.net/usa

Tools needed:

Phillips Head screwdriver.

Assembly Time:

App: 100 minutes

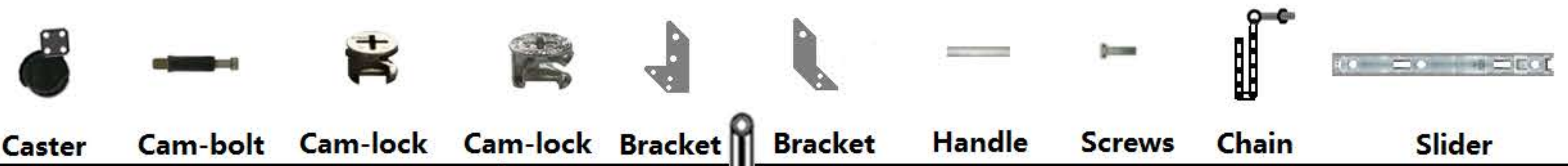


<p>A 1PC</p> <p>Table Top</p>		<p>B 1PC</p> <p>Table Top</p>			
<p>C 1PC</p> <p>Bottom Panel</p>		<p>D 1PC</p> <p>Left Side Panel</p>	<p>E 1PC</p> <p>Middle Panel</p>		
<p>F 1PC</p> <p>Right Side Panel</p>	<p>G 1PC</p> <p>Table Top</p>	<p>H 1PC</p> <p>Mobile Panel</p>	<p>J 1PC</p> <p>Side Panel for drawer</p>	<p>K 1PC</p> <p>Side Panel for drawer</p>	
		<p>I 1PC</p> <p>Front Panel For Drawer</p>	<p>L 1PC</p> <p>Back Panel For Drawer</p>		
<p>M 1PC</p> <p>Drawer Cover</p>	<p>N 1PC</p> <p>Baffle</p>	<p>O 1PC</p> <p>Bottom Board For Drawer</p>	<p>P 1PC</p> <p>Connection panel</p>		
		<p>Q 1PC</p> <p>Connection panel</p>			
<p>R 1PC</p> <p>Support Panel</p>	<p>S 1PC</p> <p>Support Panel</p>	<p>T 1PC</p> <p>Steel Wire</p>	<p>U 2PCS</p> <p>Steel Wire</p>	<p>K1 1PC</p> <p>Support Panel</p>	<p>K2 1PC</p> <p>Support Panel</p>

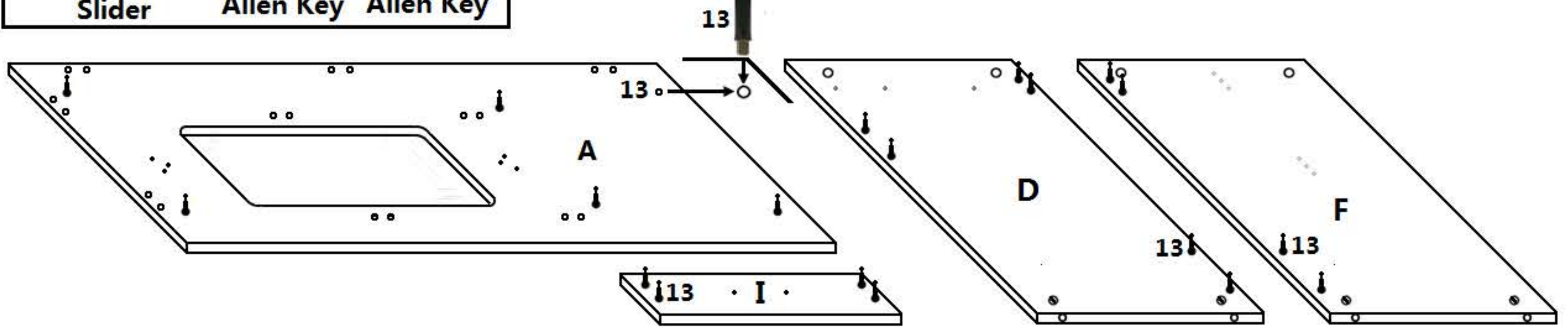
① 33 PCS ② 31 PCS ③ 16 PCS ④ 40 PCS ⑤ 4 PCS ⑥ 6 PCS ⑦ 3 PCS ⑧ 8 PCS ⑨ 2 PCS ⑩ 5 PCS ⑪ 3 PCS



⑫ 6 PCS ⑬ 20 PCS ⑭ 14 PCS ⑮ 6 PCS ⑯ 1 PC ⑰ 1 PC ⑱ 1 PC ⑲ 2 PCS ⑳ 1 PC ㉑ 2 PCS

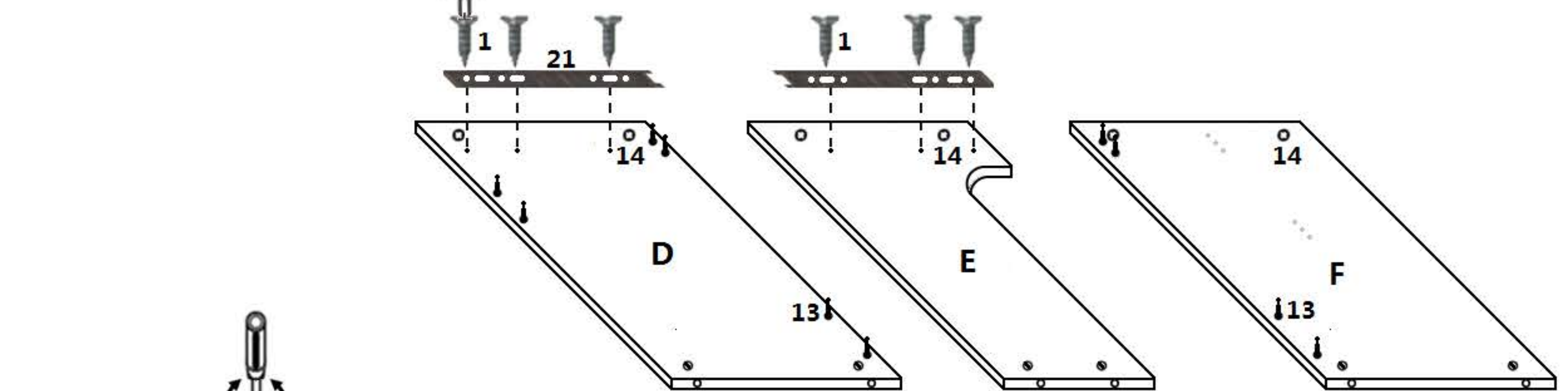


Step 1, Screw the part # 13 Cam-bolts onto Panel A, D, F and I.



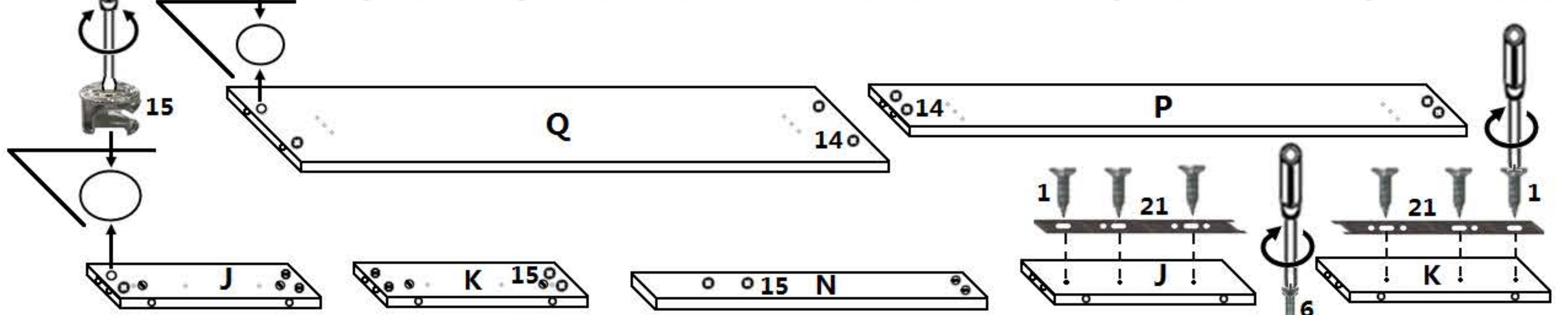
Step 2A, Rotate the part #14 Cam-locks left and right and press them into panel D, E, F, P and Q.

Step 2B, Press the locking Slider, use part #1 Screws to screw the outer sliders onto the panel D and E.



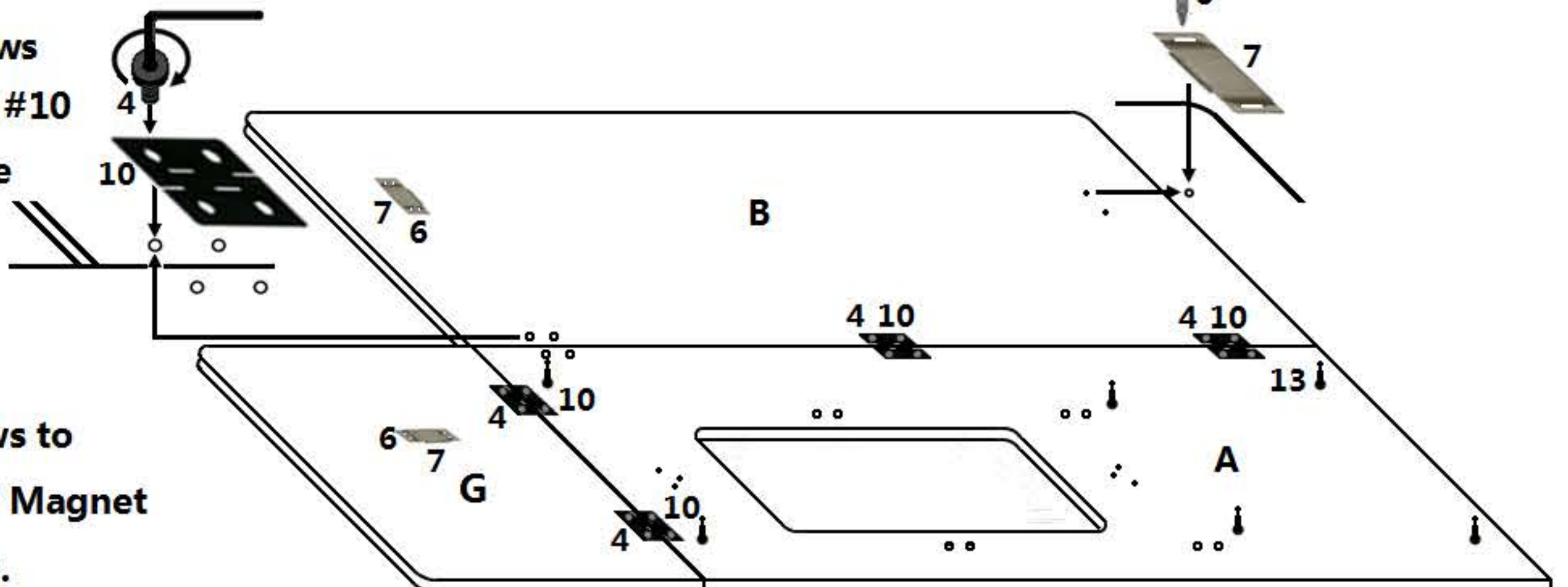
Step 3A, Rotate the part #15 Cam-locks left and right and press them into panel J, K and N.

Step 3B, Use part #1 Screws to screw the inner sliders of part #21 onto the panel J and K.



Step 4A, Use part #4 Screws to screw the part #10 Hinges onto table top A, B and G.

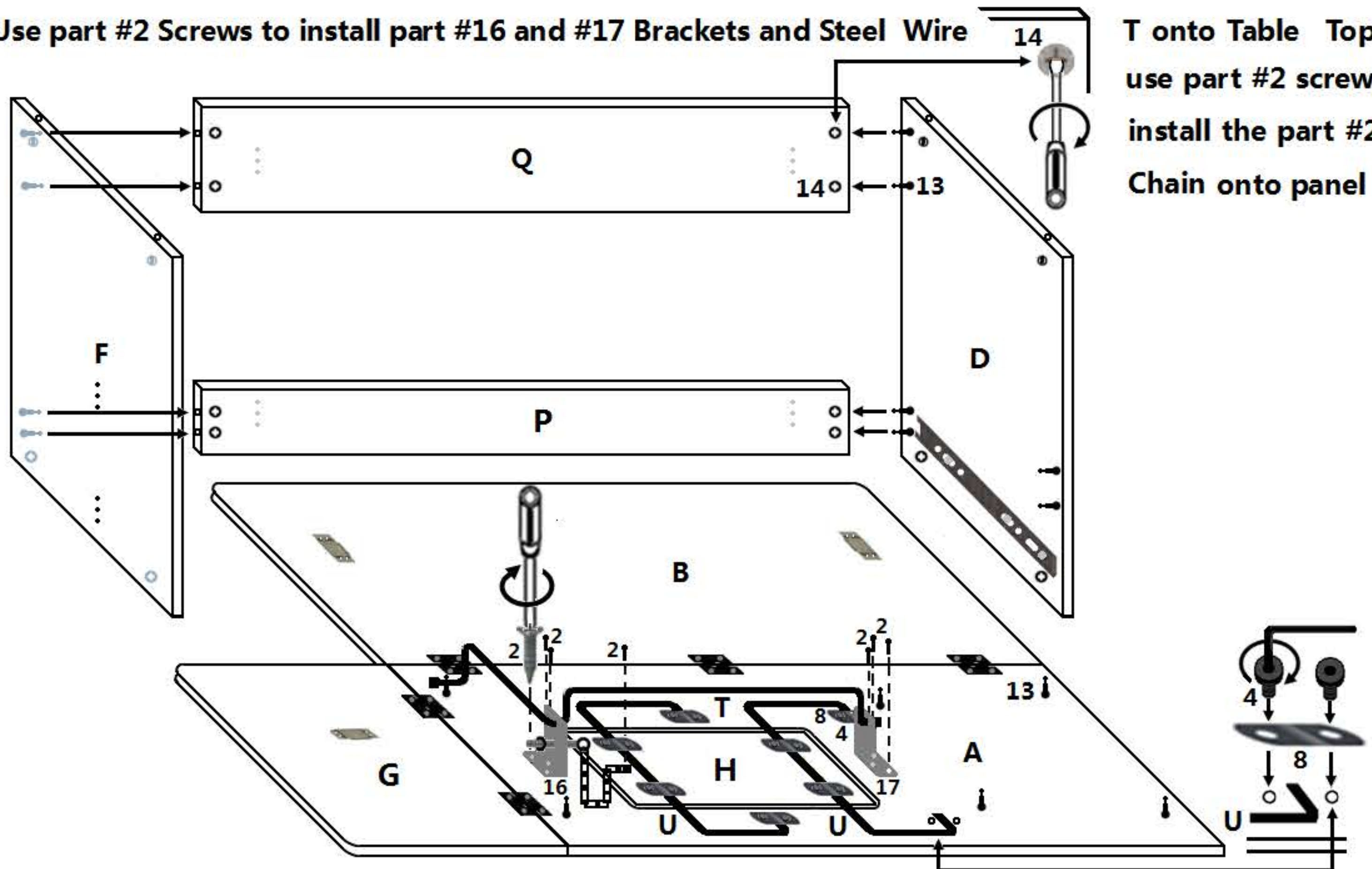
Step 4B, Use part #6 Screws to screw the part #7 Magnet onto panel B & G.



Step 5A, Insert the part #13 Cam-bolts on Panel D & F into the part #14 Cam-locks on Panel Q & P, and tighten these Cam-locks clockwise.

Step 5B, Place the Mobile Panel H into Table Top A, use part #4 Screw and part #8 Cleat to install the Steel Wire U onto the Table Top A and Mobile Panel H.

Step 5C, Use part #2 Screws to install part #16 and #17 Brackets and Steel Wire T onto Table Top A, use part #2 screw to install the part #20 Chain onto panel H.

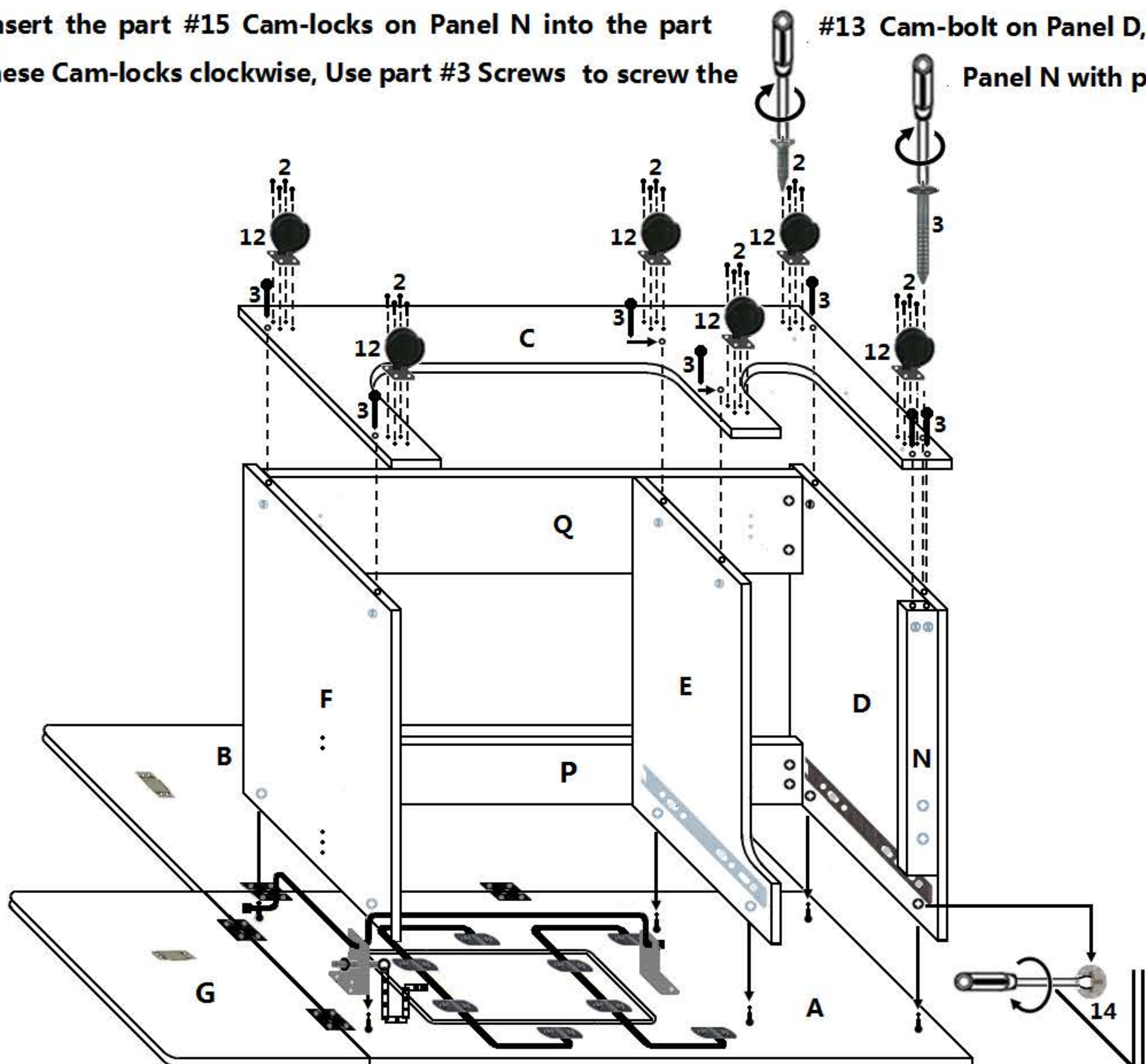


Step 6A, Insert the part #14 Cam-locks on Panel D, E and F into the part #13 Cam-bolts on Table Top A, and tighten these Cam-locks clockwise.

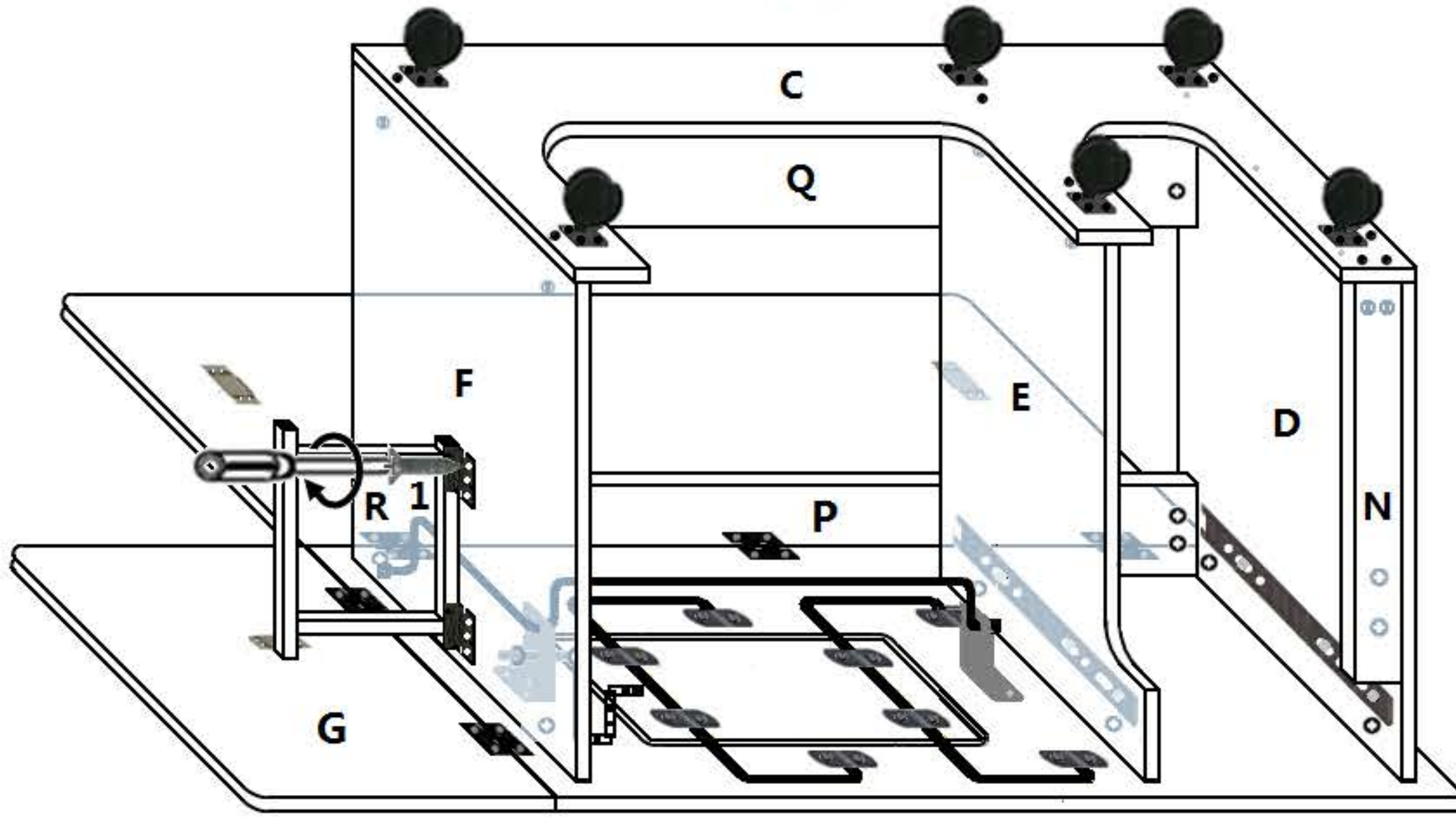
Step 6B, Use part #3 Screws to screw the Bottom Panel C with panel D, E and F.

Step 6C, Use part #2 Screws to screw the part #12 Casters onto panel C.

Step 6D, Insert the part #15 Cam-locks on Panel N into the part #13 Cam-bolt on Panel D, tighten these Cam-locks clockwise, Use part #3 Screws to screw the Panel N with panel C.

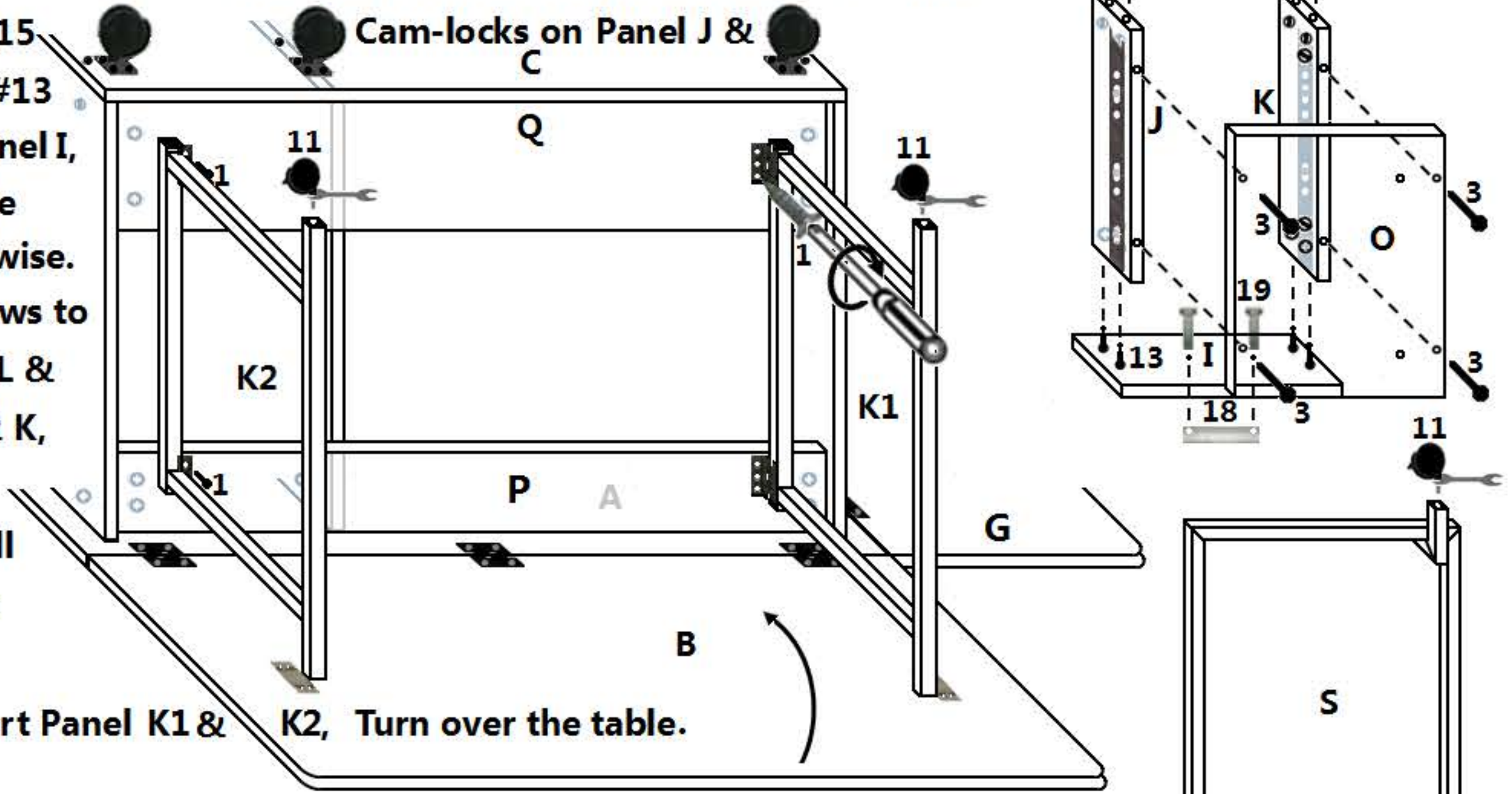


Step 7, Use 6 pcs of part #1 screws to screw the Support Panel R onto panel F.



Step 8A, Use 12 pcs of part #1 to screw the Support Panel K1 & K2 onto Panel Q & P, insert the part #11 Casters onto the Support Panel K1 & K2.

Step 8B, Insert the part #15 Cam-locks on Panel J & K into the part #13 Cam-bolts on panel I, and tighten these Cam-locks clockwise. Use part #3 Screws to screw the panel L & O with panel J & K, use part #19 Screws to install part #18 Handle onto panel I.



Step 8C, Close the Support Panel K1 & K2, Turn over the table.

Step 9A, Use 3 pcs of part #1 screws to screw the part #22 Slider onto panel C.

Step 9B, Push the Support Panel S, insert the drawer into Sliders, use part #6 screws to screw the Support Panel S onto panel O.

Step 9C, Screw the part #4 Screws and part #5 Screws onto panel M, Note: the part #4 Screws is for adjusting the height of panel M, the part #5 Screws is for locating the panel M with the drawer.

OK

